

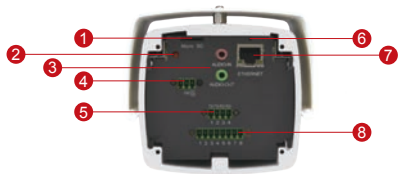
# KCM-5611

2M Outdoor Box with D/N, IR, Advanced WDR, SLLS, 18x Zoom lens



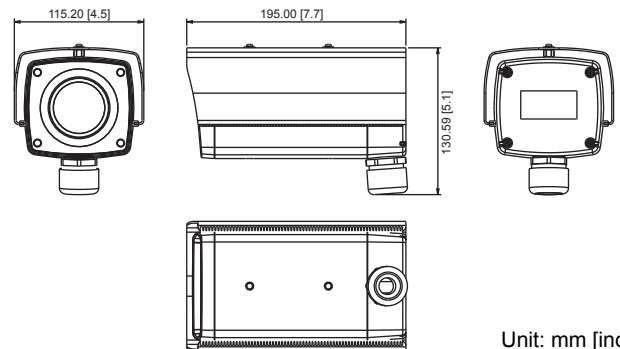
- 1/2.8" Progressive Scan CMOS
- Day and night function with mechanical IR cut filter
- Superior low light sensitivity
- Minimum illumination 0 lux with IR LED on
- 18x optical Zoom
- Built-in f4.7- 84.6 mm / F1.6-2.8 Megapixel DC Iris zoom lens
- 15 fps at 1920 x 1080 resolution
- Selectable H.264, MPEG-4 SP, MJPEG compressions with dual streaming
- Serial port for external pan & tilt scanner
- Two-way audio
- Weatherproof IP66 rated casing
- Advanced WDR
- 2D+3D Digital Noise Reduction
- Video Motion Detection
- Powered by PoE Class 3 / DC 12V

## PHOTO INDICATION



- |                        |                          |
|------------------------|--------------------------|
| 1 MicroSDHC Card Slot  | 5 Serial Port            |
| 2 Power LED            | 6 Reset Button           |
| 3 Audio Input / Output | 7 Ethernet Port          |
| 4 DC 12V Power Input   | 8 Digital Input / Output |

## DIMENSION DIAGRAM



## ACCESSORY OPTIONS

### Camera Bracket

PMAX-1101



Aluminum, max. load 10 kg (22.05 lb), tilt angle 90°, swivel angle 360°

### Power Adapter

PPBX-0002



Universal Power Adapter, 100~240V, 4 different connectors included

### Pan & Tilt Scanner

Third party Pan & Tilt Scanners available at: [www.acti.com/pantilt/](http://www.acti.com/pantilt/)

### Popular Mounting Solutions

|        |                        |  |
|--------|------------------------|--|
| Corner | PMAX-1101<br>PMAX-0402 |  |
| Pole   | PMAX-1101<br>PMAX-0503 |  |

\* For more mounting solutions, please refer to Project Planner on [www.acti.com](http://www.acti.com)

**PRODUCT SPECIFICATION****KCM-5611****• Device**

|                          |  |
|--------------------------|--|
| Device Type              | Box Camera   |
| Image Sensor             | Progressive Scan CMOS  |
| Sensor Size              | 1/2.8" (5.42 x 3.41 mm)  |
| Horizontal Resolution    | 974 TVL  |
| Day / Night              | Yes  |
| Minimum Illumination     | Color: 0.1 lux at F1.6 (30 IRE, 2400 °K)<br>B/W: 0 lux (IR LED on) |
| Color to B/W switch      | ISP based switch, configurable                                     |
| Mechanical IR Cut Filter | Yes  |
| IR Sensitivity Range     | 700 - 1100 nm  |
| IR LED                   | IR LED x 24 (850 nm)   |
| IR Working Distance      | 20m (0 lux, 30 IRE, Max Exposure Gain)                             |
| Electronic Shutter       | 1/5 ~ 1/2,000 sec (manual mode); 1/5 ~ 1/10,000 sec (auto mode)    |

**• Lens**

|                          |                                   |
|--------------------------|-----------------------------------|
| Focal Length             | Zoom, f4.7 - 84.6 mm / F1.6 - 2.8 |
| Zoom Ratio               | 18x optical                       |
| Iris                     | DC Iris                           |
| Focus                    | Auto Focus                        |
| Horizontal Viewing Angle | 48.9° - 3.6°                      |

**• Video**

|  |   |
|--|---|
| Compression                                      | H.264, MPEG-4 SP, MJPEG   |
| Maximum Frame Rate vs. Resolution (H.264, MJPEG) | 15 fps at 1920 x 1080, 30 fps at 1280 x 720, 30 fps at 640 x 480  |
| Maximum Frame Rate vs. Resolution (MPEG-4 SP)    | 11 fps at 1920 x 1080, 25 fps at 1280 x 720, 30 fps at 640 x 480  |
| Multi-Streaming                                  | Simultaneous dual streams based on two configurations   |
| Bit Rate   | 28 Kbps - 6 Mbps (per stream)   |
| Bit Rate Mode                                    | Constant, Variable  |
| Image Enhancement                                | Advanced WDR; White balance: automatic, hold and manual; Brightness; Saturation; Contrast; Sharpness; Automatic gain control; 2D+3D Digital Noise Reduction; Flickerless; Defogging |
| Privacy Mask                                     | 4 configurable regions  |
| Text Overlay                                     | User defined text on video  |
| Image Orientation                                | Image flip and mirror   |

**• Audio**

|             |  |
|-------------|--|
| Compression | 8 kHz, Mono, PCM, 16 bit encoding; G.711 |
| Audio-In    | 3.5mm Phone Jack                         |
| Audio-Out   | 3.5mm Phone Jack                         |

**• Network**

|                    |  |
|--------------------|--|
| Protocol & Service | TCP, UDP, HTTP, HTTPS, DHCP, PPPoE, RTP, RTSP, IPv6, DNS, DDNS, NTP, ICMP, ARP, IGMP, SMTP, FTP, UPnP, SNMP, Bonjour, Pelco-D, Pelco P |
| Ethernet Port      | 1, Ethernet (10/100Base-T), RJ-45 connector  |
| Security           | IP address filtering; HTTPS encryption; Password protected user levels; IEEE 802.1X network access control                             |

**• Alarm**

|                |  |
|----------------|--|
| Alarm Trigger  | Video motion detection (3 regions); External device through digital input  |
| Alarm Response | Notify control center; Go to Zoom preset point or preset tour; Change camera settings; Command other devices; E-mail notification with snapshots; Save video or snapshot to local storage; Upload video, snapshot to FTP server; Activate external device through digital output |

**• Interface**

|                |  |
|----------------|--|
| Digital Input  | 2, terminal block                              |
| Digital Output | 2, terminal block                              |
| Serial Port    | RS-485, RS-422, terminal block                 |
| Local Storage  | MicroSDHC memory card slot (card not included) |

**• General**

|                            |  |
|----------------------------|--|
| Power Source / Consumption | PoE Class 3 (IEEE802.3af) / 10.7 W (IR on)<br>DC 12V / 8.5W (adapter not included) |
| Weight                     | 1324g ( 2.92 lb)   |
| Dimensions (W x H x D)     | 115.20 mm x 130.59 mm x 195.00 mm (4.50" x 5.10" x 7.70")                          |
| Environmental Casing       | Weatherproof (IP66 rated)  |
| Starting Temperature       | -20°C ~ 50°C (-4°F ~ 122°F) within 30 minutes                                      |
| Operating Temperature      | -40°C ~ 50°C (-40°F ~ 122°F)   |
| Operating Humidity         | 10%~ 85% RH  |
| Approvals                  | CE (EN 55022 Class A, EN 55024), FCC (Part15 Subpart B Class A), IP66              |

**• Integration**

|                         |  |
|-------------------------|--|
| Unified Solution        | Fully compatible with ACTi software  |
| ISV Integration         | Software Development Kit (SDK) available   |
| Firmware Access Browser | Microsoft Internet Explorer 8.0 or newer (full functionality); Other browsers with VLC installed (partial functionality) |